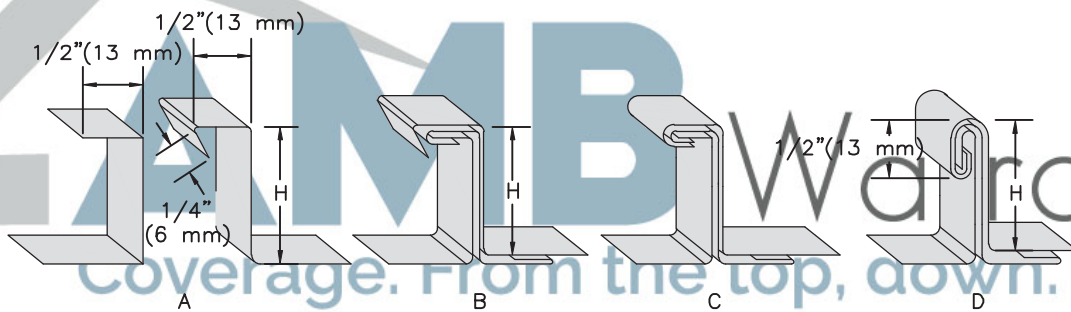
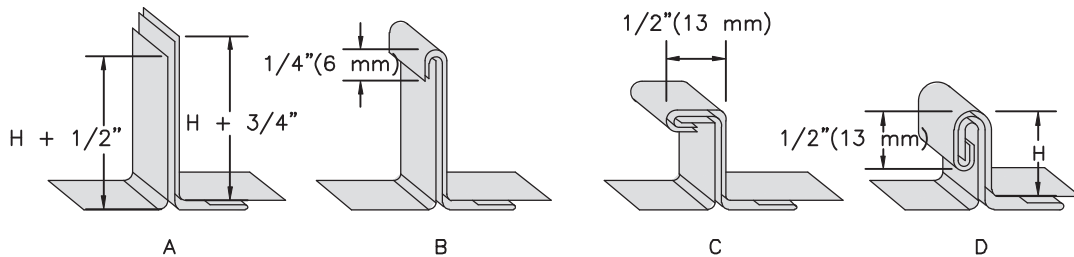


CUSTOM STANDING SEAM ROOF



PAN METHOD
DETAIL 1



FIELD FORMED
DETAIL 2

FIGURE 6-5 STANDING SEAM ROOFS



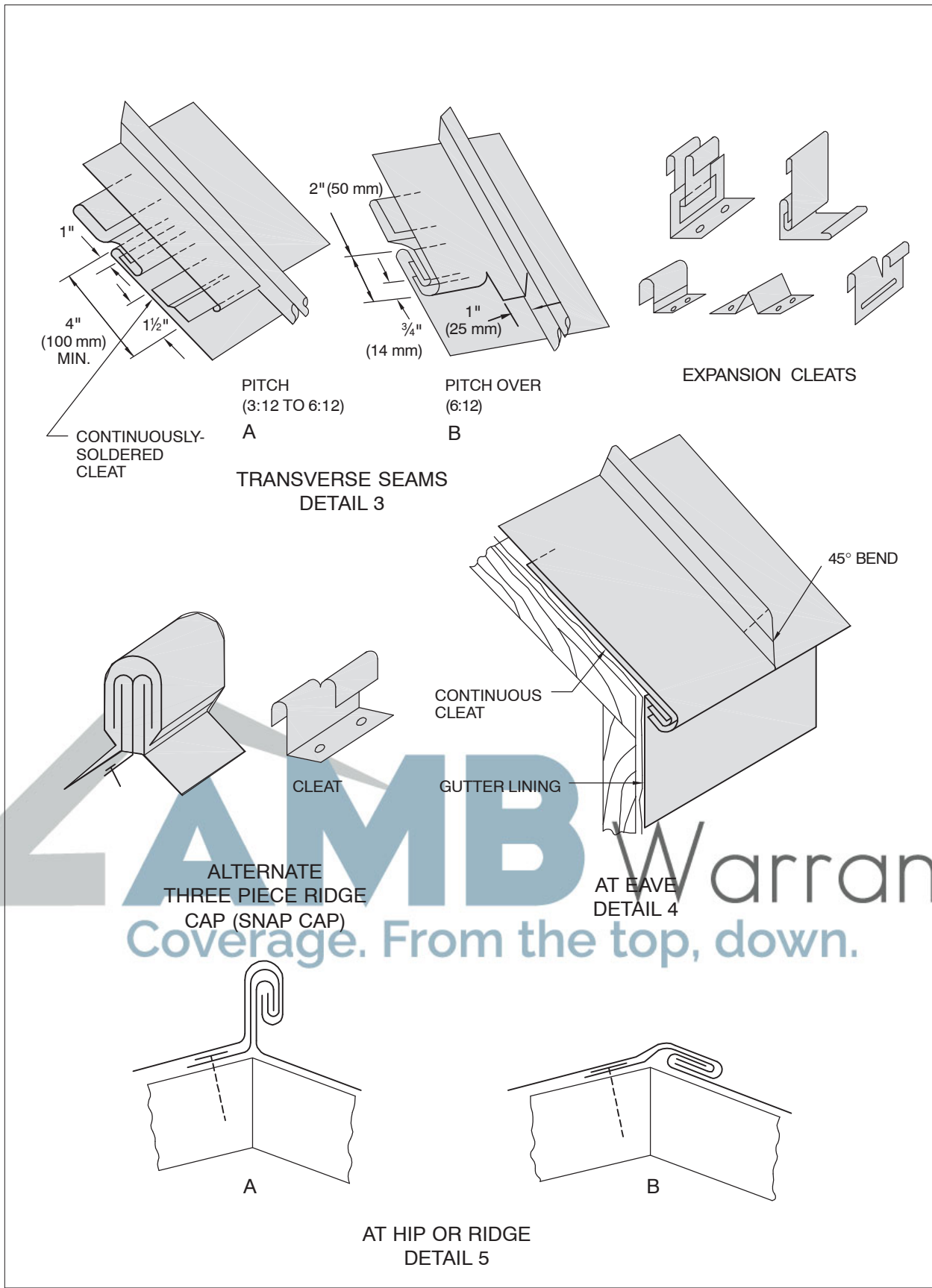


FIGURE 6-6 STANDING SEAM ROOFS



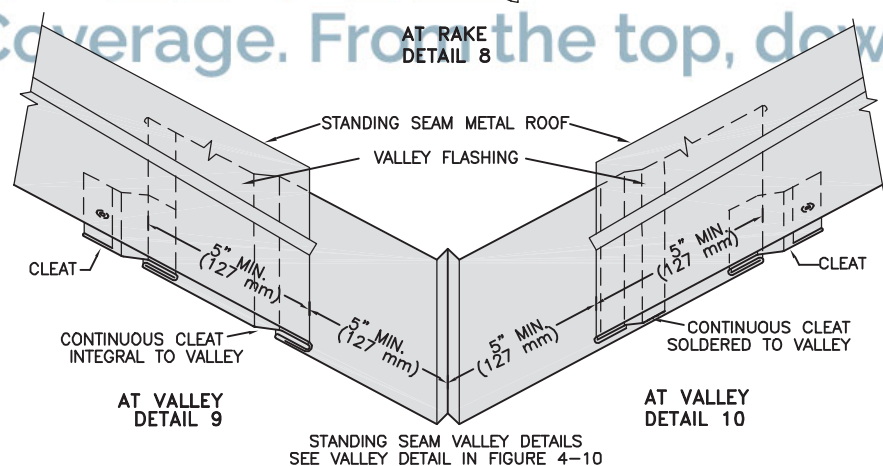
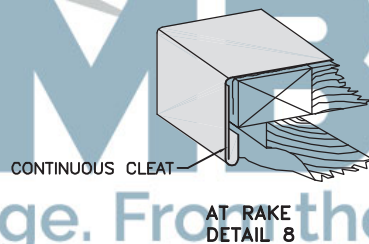
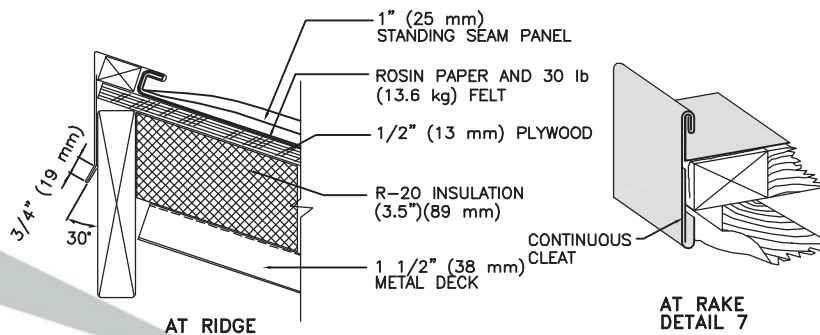


FIGURE 6-7 STANDING SEAM ROOFS

