

SNOW GUARDS

Figure 11–5 illustrates four types of snow guards used to prevent snow from sliding off roofs.

The snow guard shown in Figure 11–5A is made of metal tubing bolted to a flat-stock frame. Frame is fastened to the roof using screws and watertight washers. Waterproof membrane strips beneath the guard anchor points improve protection on metal roofs.

Figure 11–5B shows a two-piece snow guard fabricated of sheet metal. This guard is for use on a shingle roof and may be installed with the roof or may be added later.

The snow guard illustrated in Figure 11–5C is fabricated of sheet metal and is for use on shingle roofs. It is inserted under the butt of a shingle and hooked onto a nail driven through the shingle.

Small component snow guards are normally installed 18 in. (457 mm) OC in staggered interval rows 24 in. to

FIGURE 11–5

48. (610 to 1200 mm) OC. The number of rows and proximity of the first row to an eave or built in gutter varies with the application. Two or three rows is a common application.

Figure 11–5D illustrates small component snow guard pattern use for both metal and shingle roofing. On standing seam roofing alternatives for pattern staggering in each horizontal row are: one guard near pan center in every other pan; two guards near the seams in every other pan; one guard near a seam in each pan.

The best design practice is to submit detailed roof plans to a qualified or an authorized roof snow guard manufacturer for snow guard layout. This will assure that the snow guard layout and quantity will be based on testing and experience that is specific to the area of the country, slope, roof length, etc.

Several die cast and formed metal shapes of guard are available.



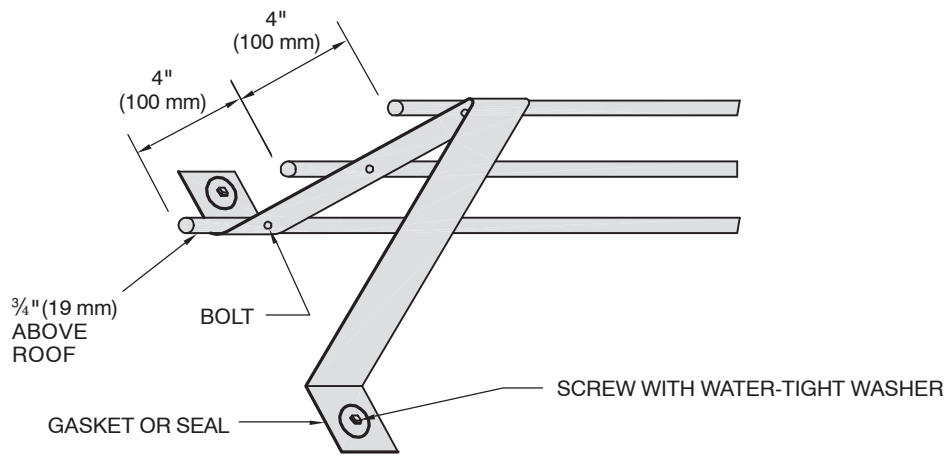


FIG 11-5A

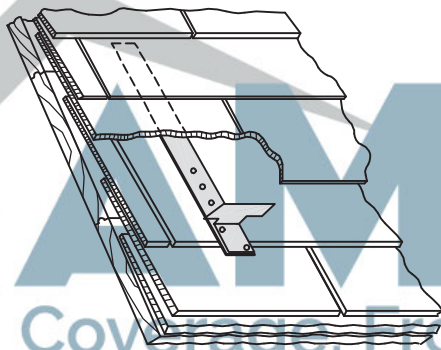


FIG 11-5B

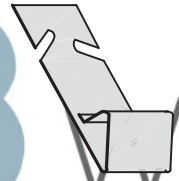


FIG 11-5C

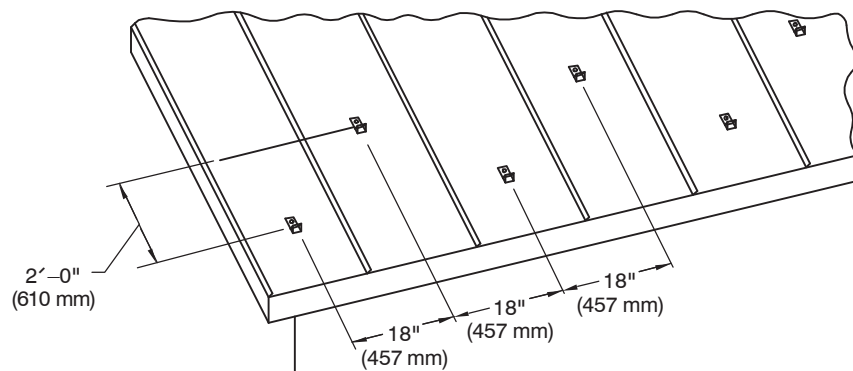


FIG 11-5D

FIGURE 11-5 SNOW GUARDS

